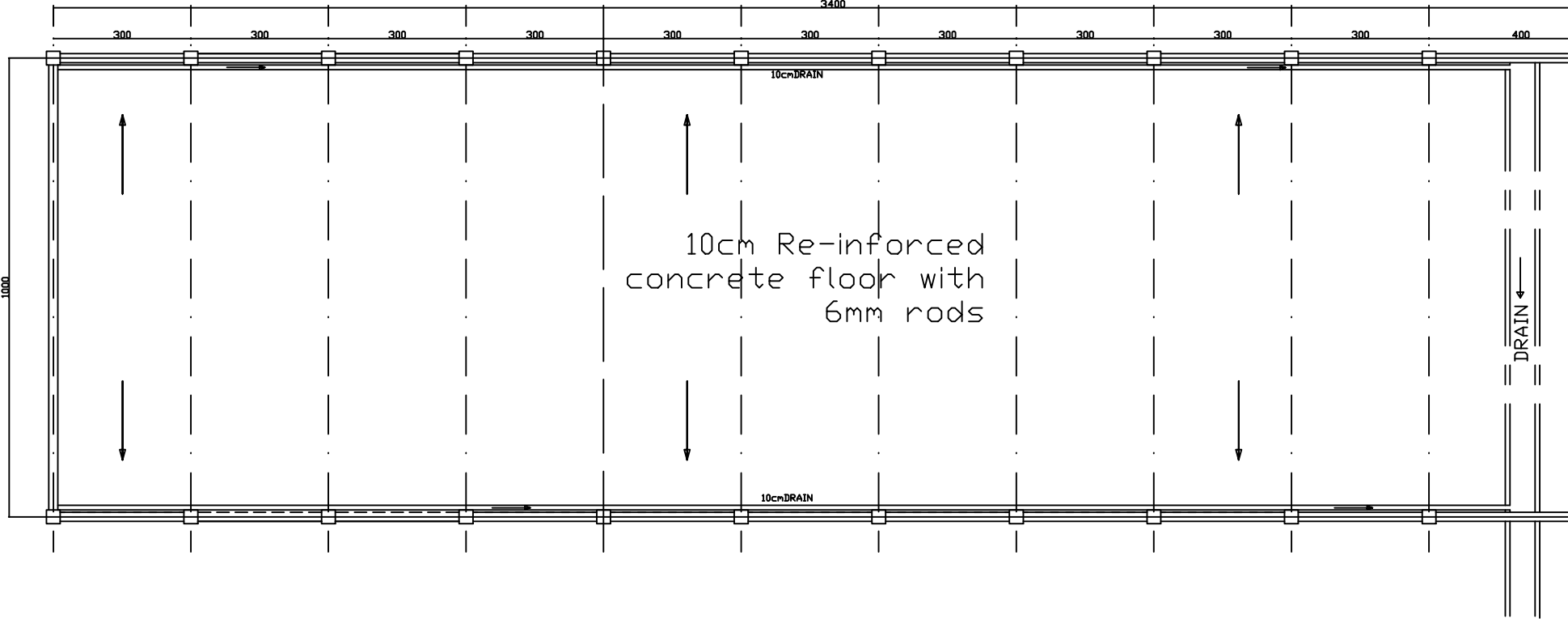
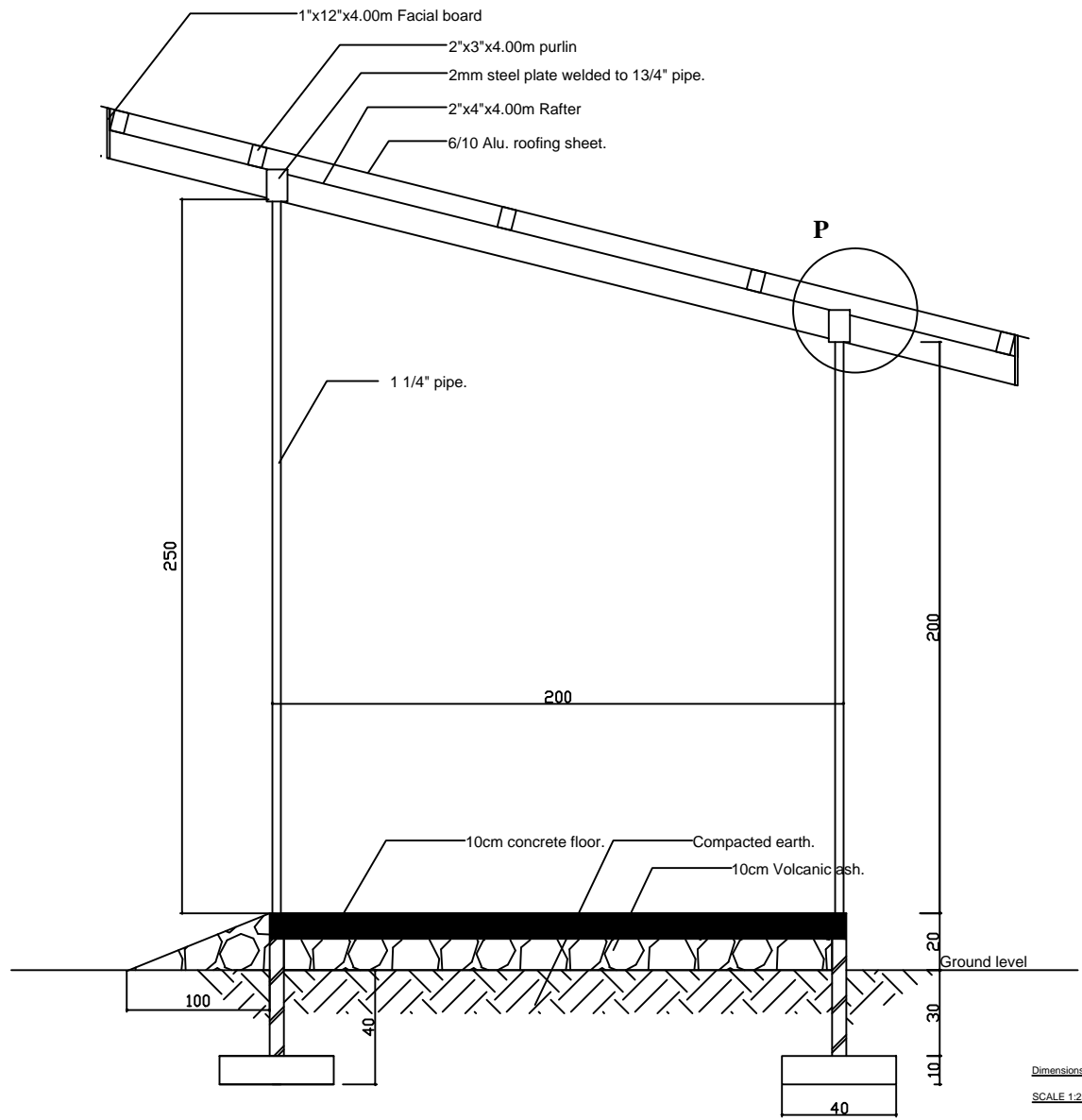


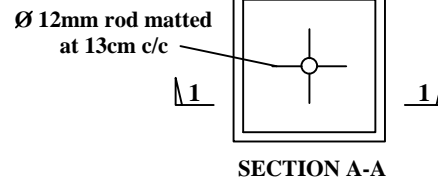
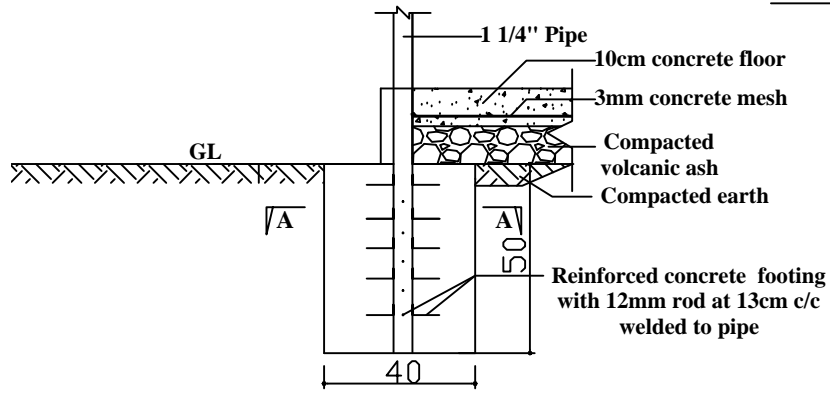
CONCRETING OF FRUIT PATIO



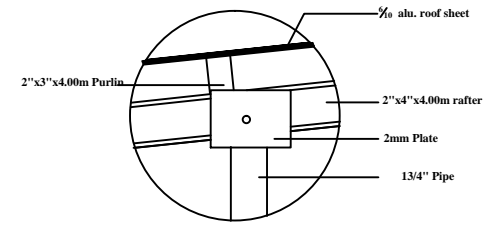


SECTION A-A

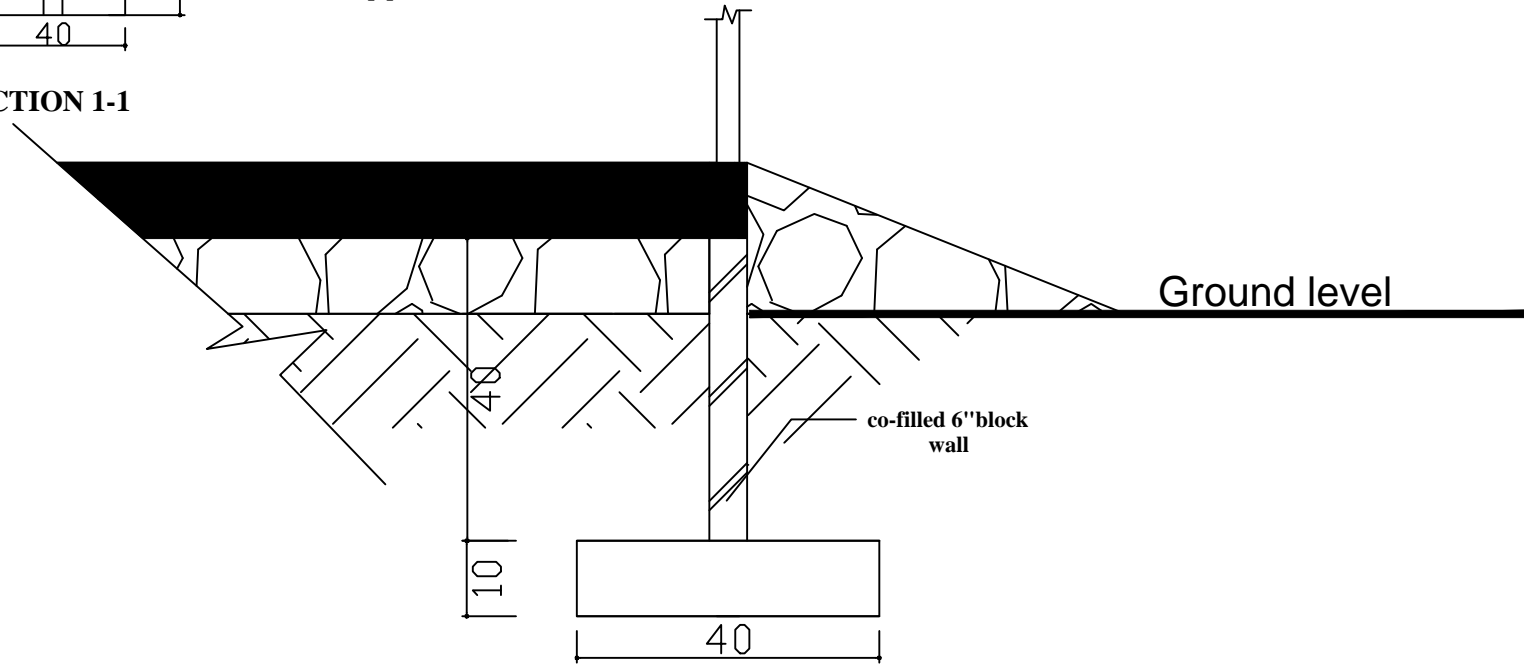
**Detail of stanchion
footing**



Detail at 'P'



SECTION 1-1

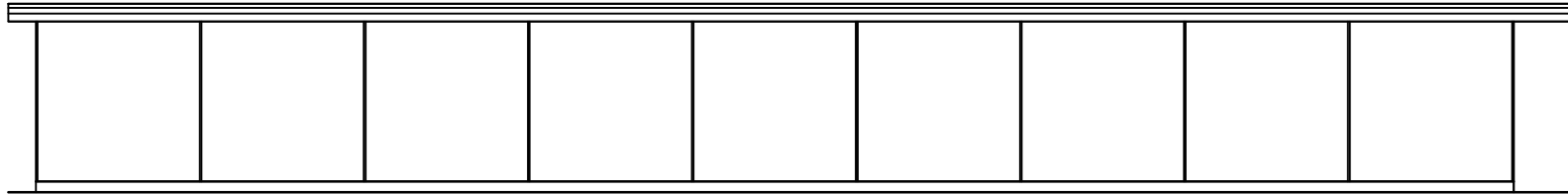


SECTION B-B

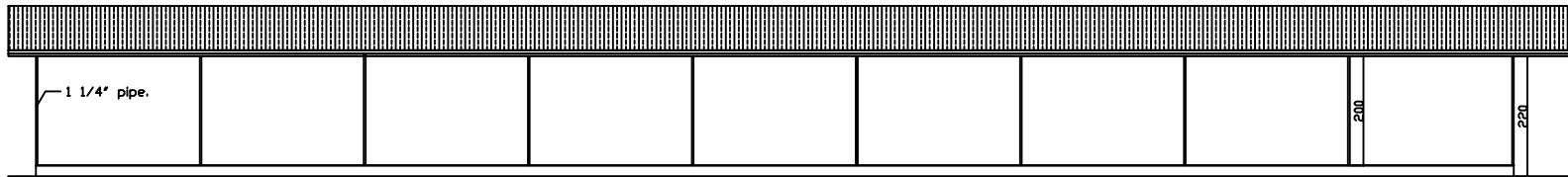
Dimensions in cm

SCALE 1:20

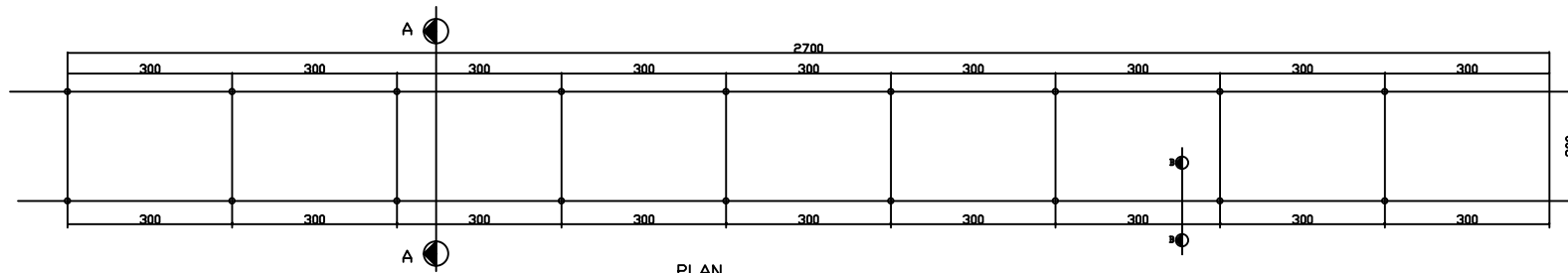
MOTORCYCLE SHED



FRONT VIEW



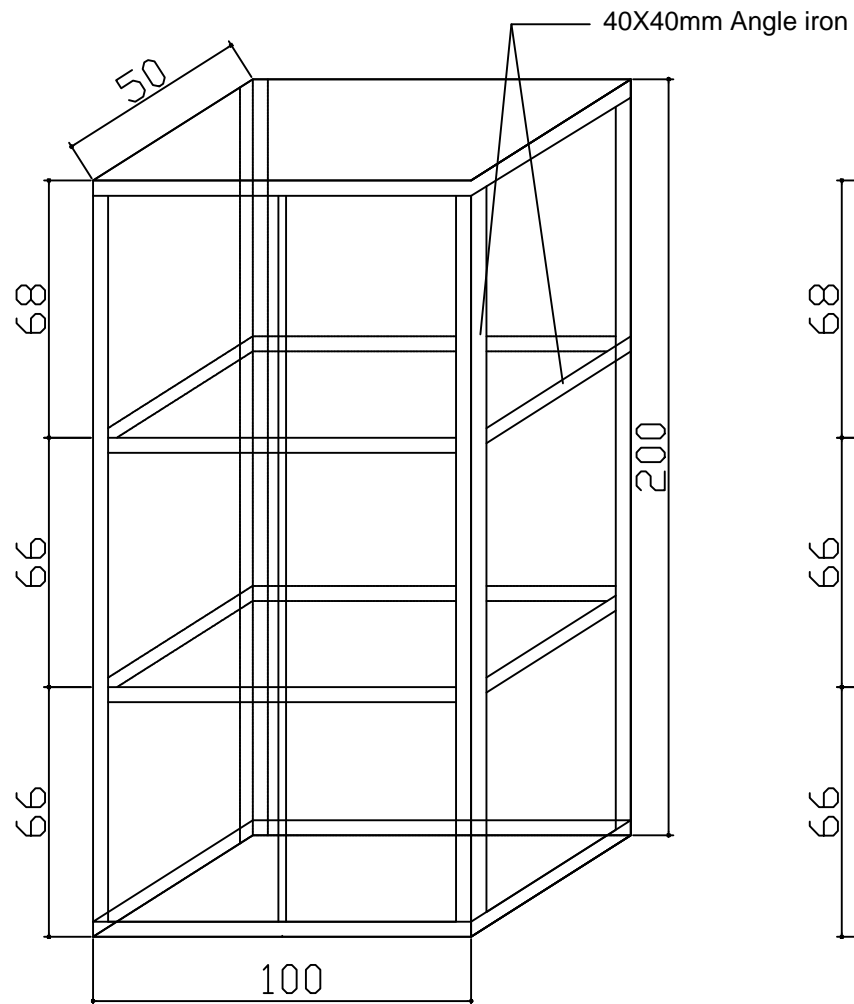
BACK VIEW



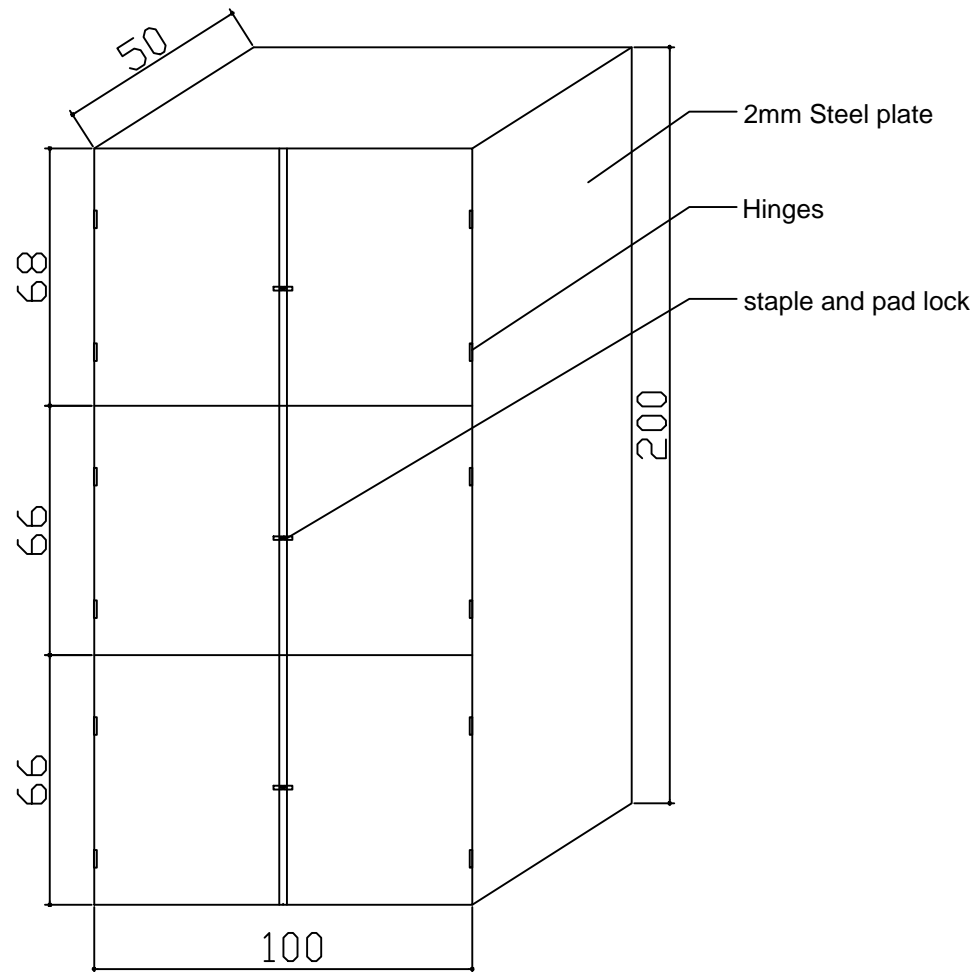
PLAN

Dimensions in cm
SCALE 1:100

STEEL LOCKER FOR PACKING HOUSES



FRAME WORK DIAGRAM

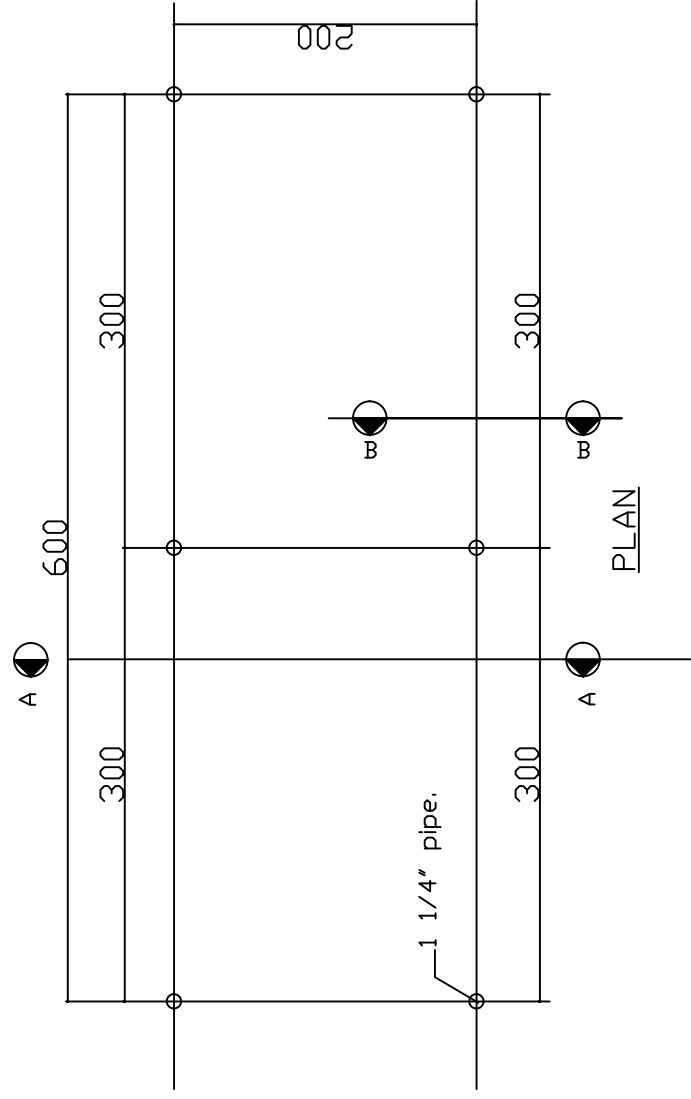
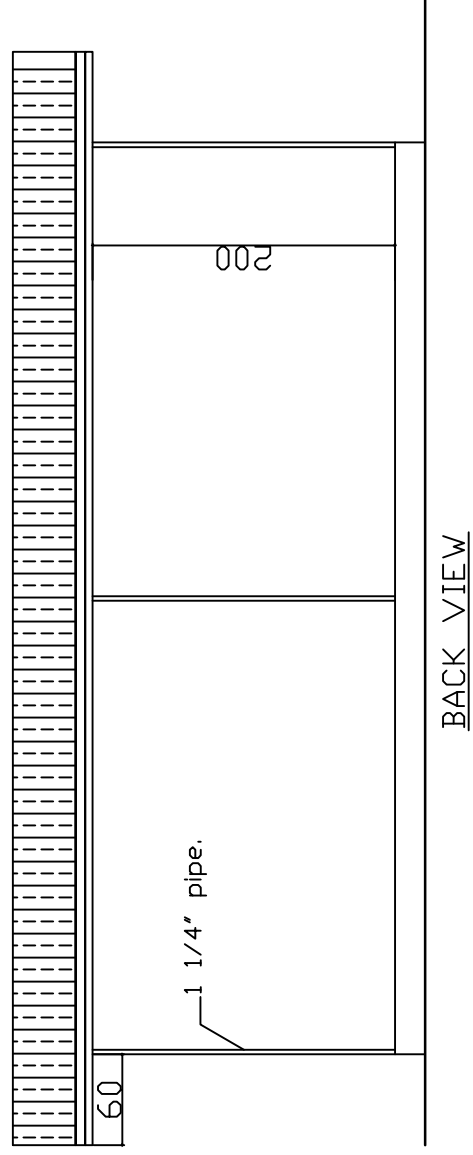
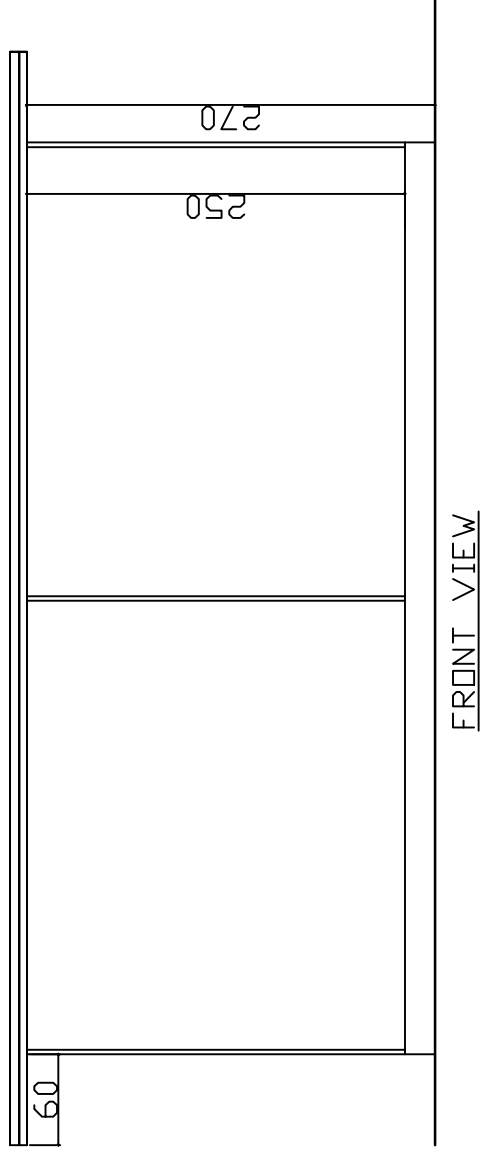


STEEL LOCKER

Dimensions in cm

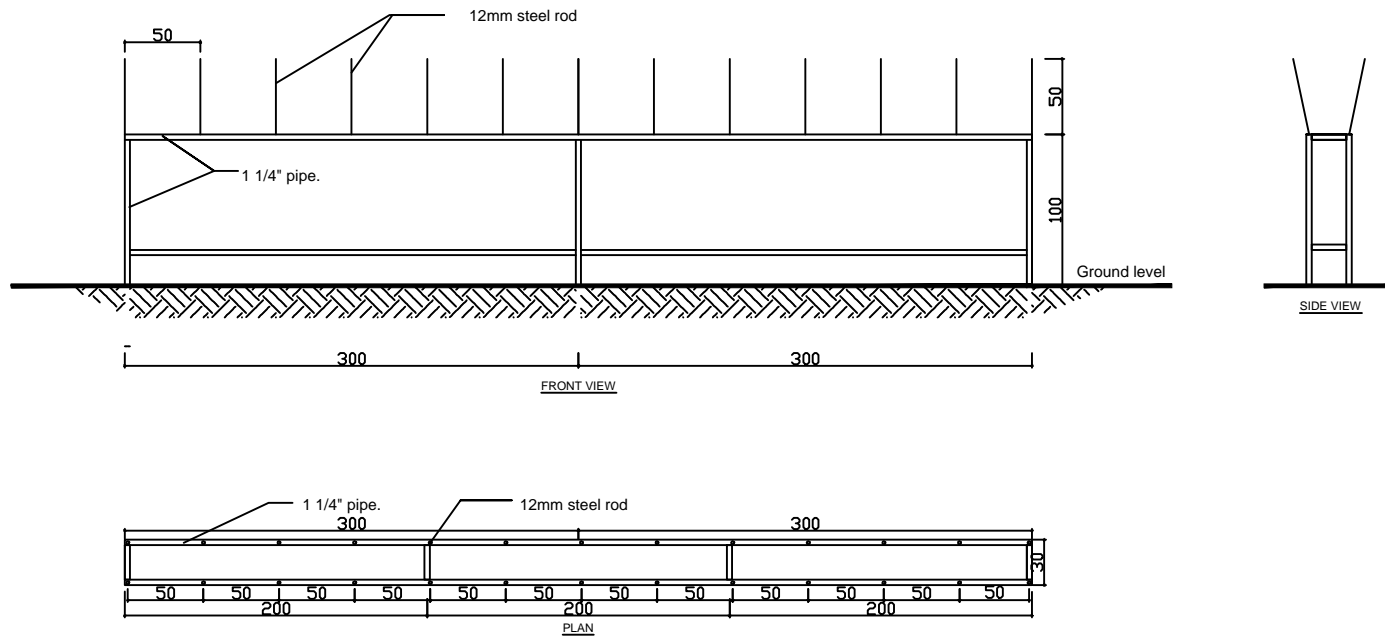
SCALE 1:20

DRYING SHED



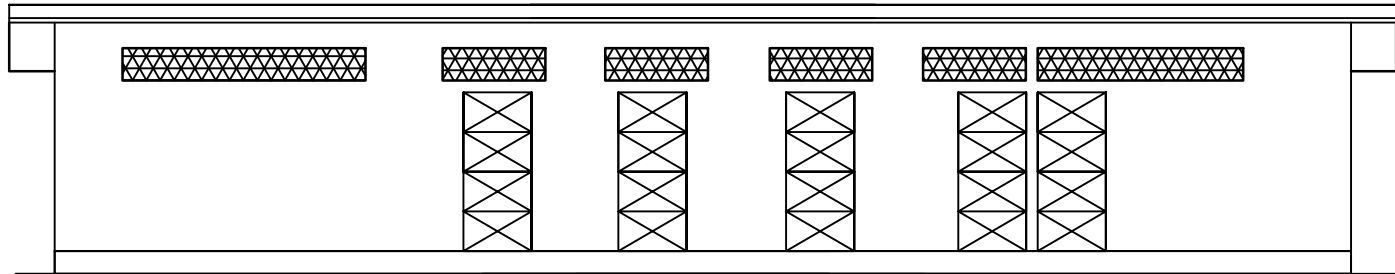
Dimensions in cm
SCALE 1:100

RAIN BOOT DRYING STAND

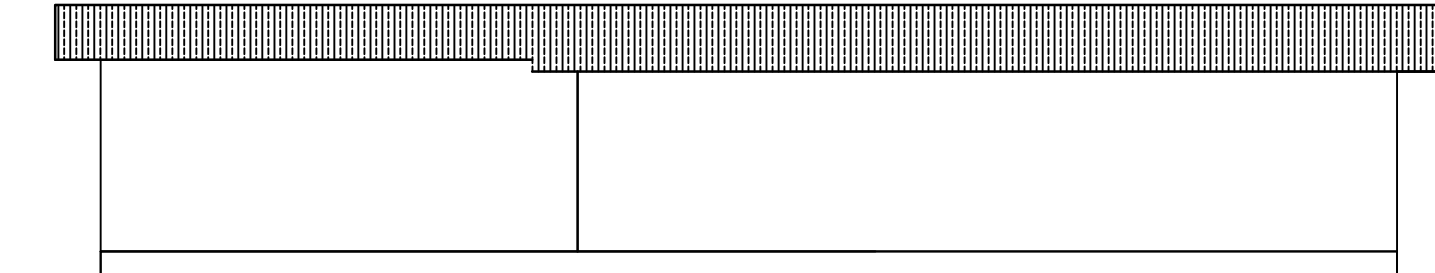


Dimensions in cm
SCALE 1:20

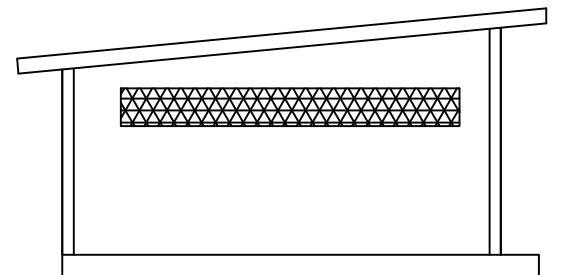
DRESSING ROOM FOR CHEMICAL WEEDERS



FRONT VIEW



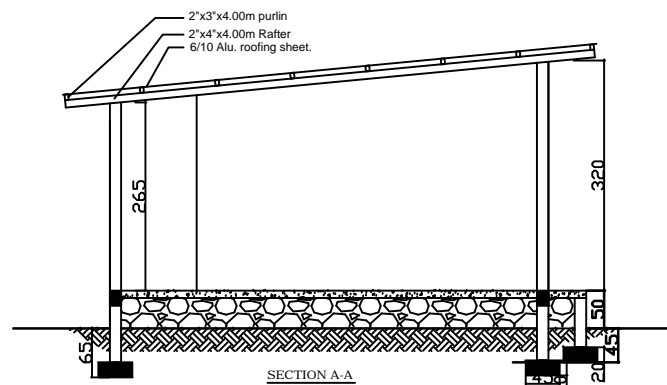
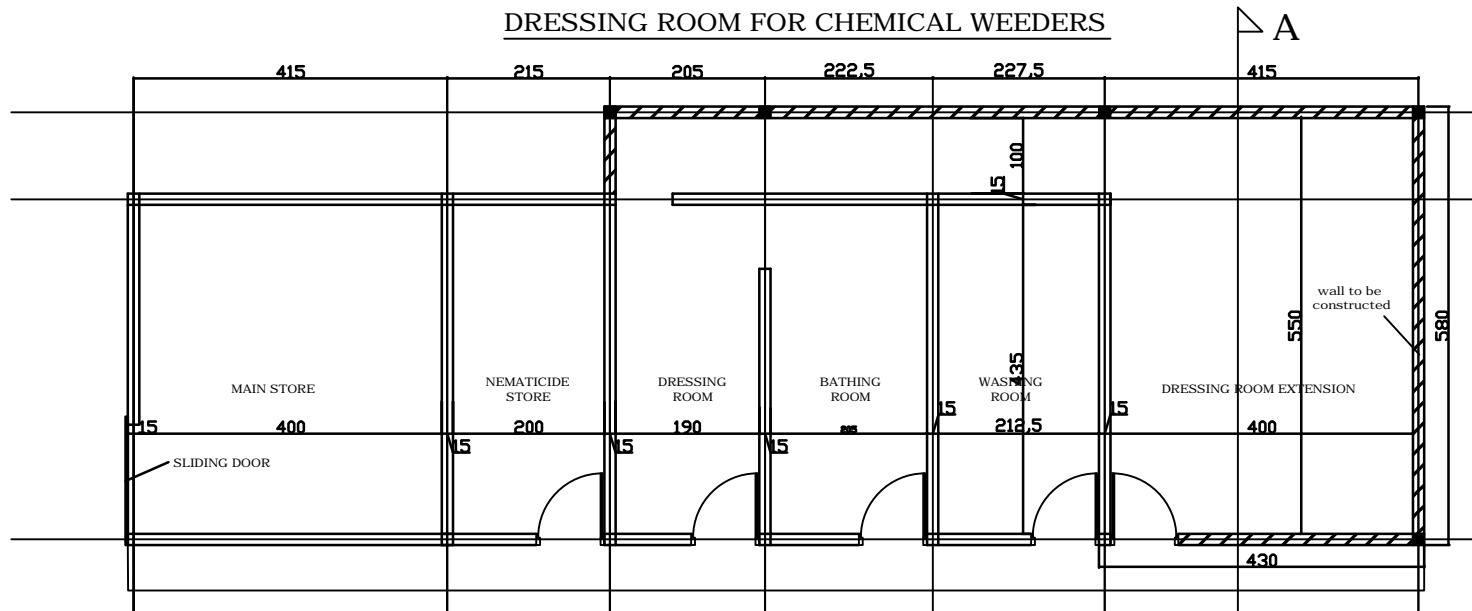
FRONT VIEW



LEFT VIEW

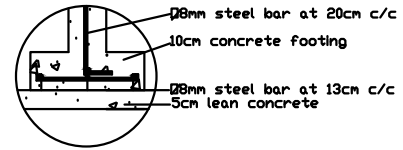
Dimensions in cm
SCALE 1:100

DRESSING ROOM FOR CHEMICAL WEEDERS

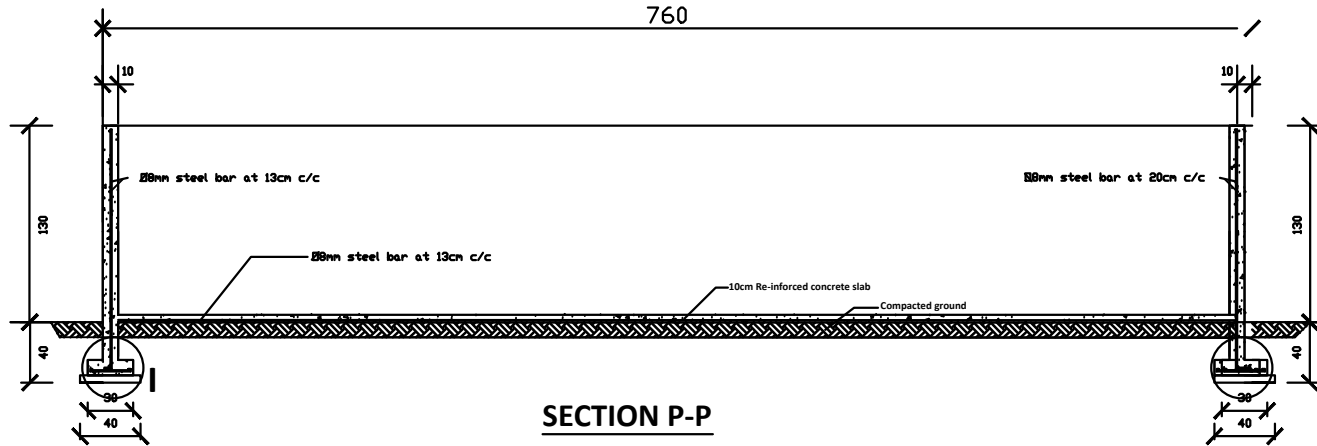


Dimensions in cm
SCALE 1:100

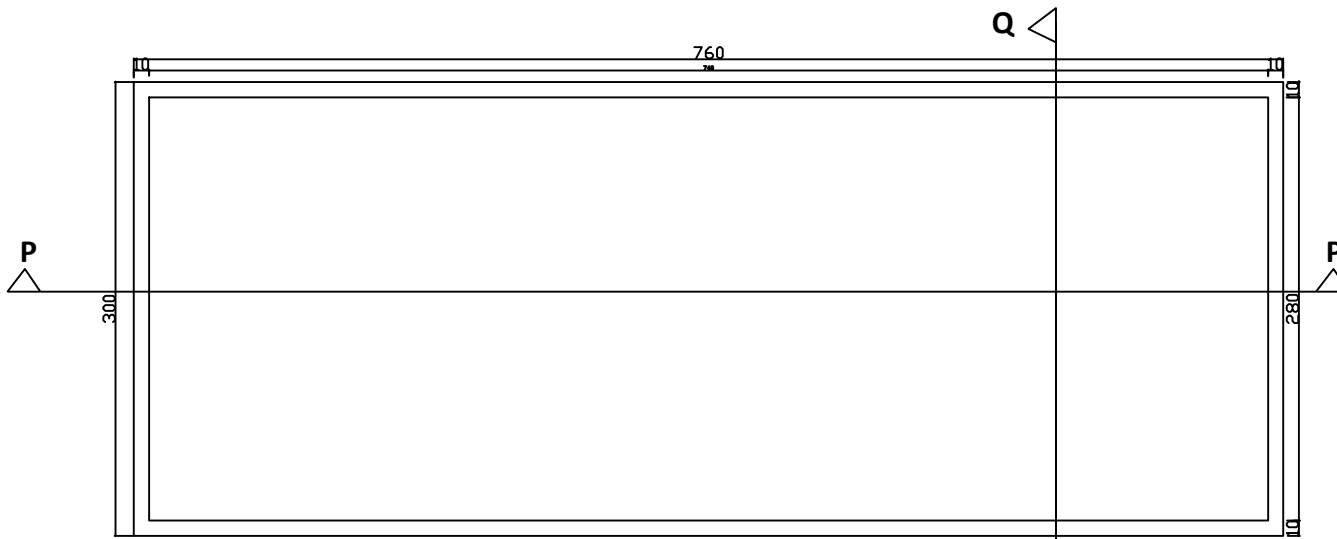
REJECT TANK



DETAIL AT 'T'



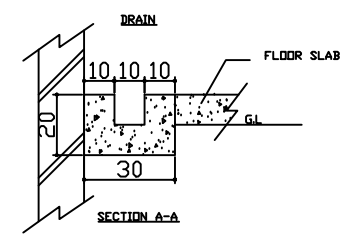
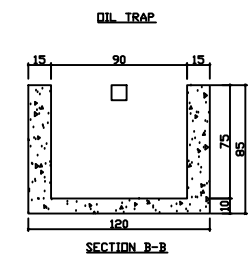
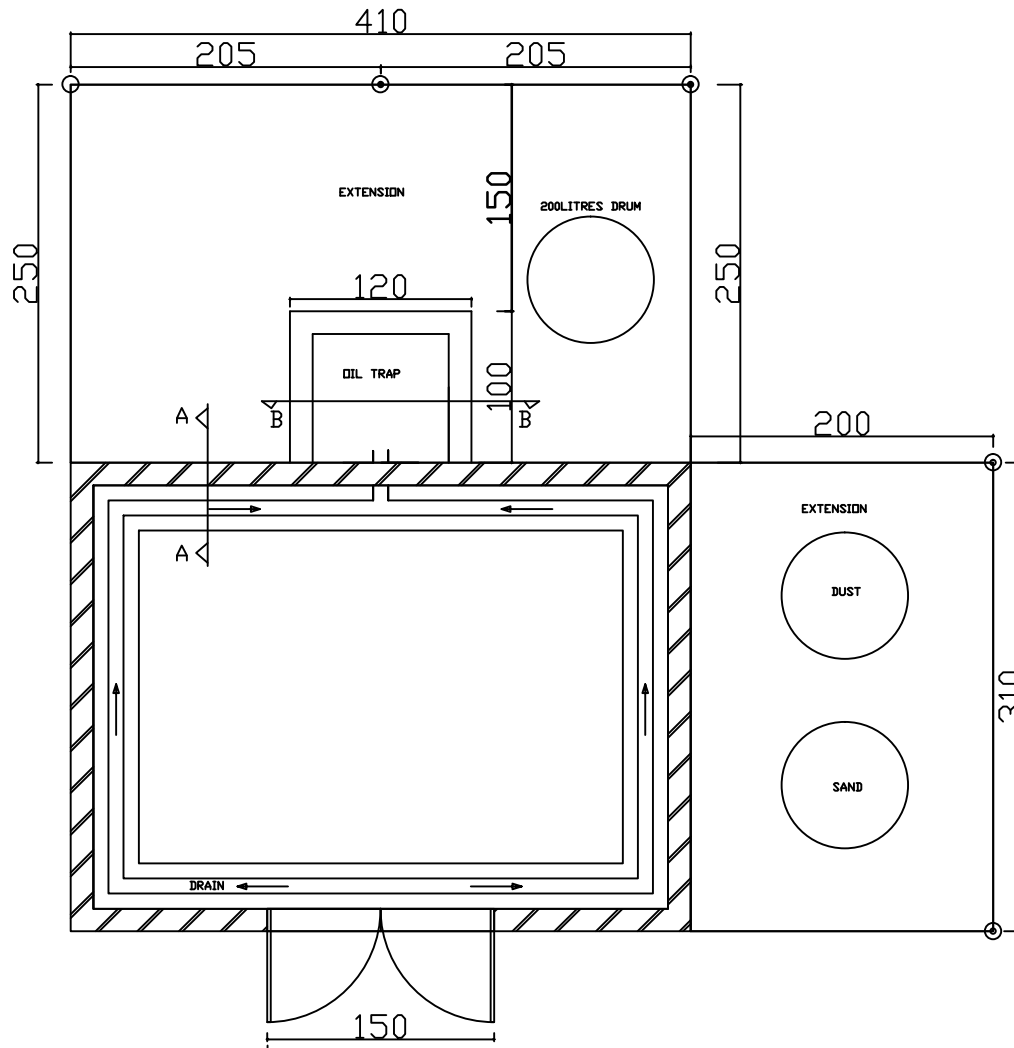
SECTION P-P



PLAN

Dimensions in cm
SCALE 1:100

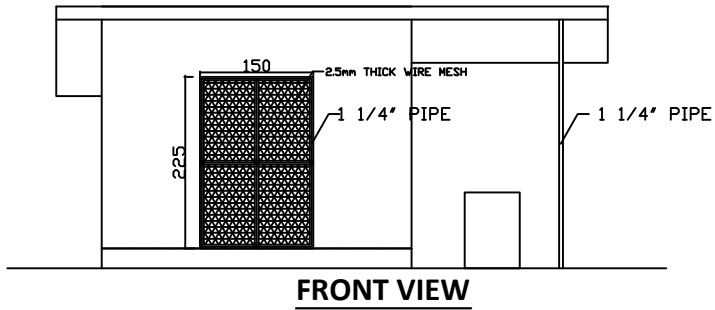
GEN-SET SHED EXTENSION



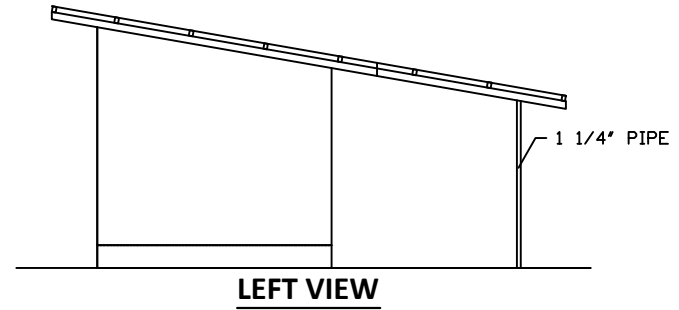
Dimensions in cm
SCALE 1:50

PLAN

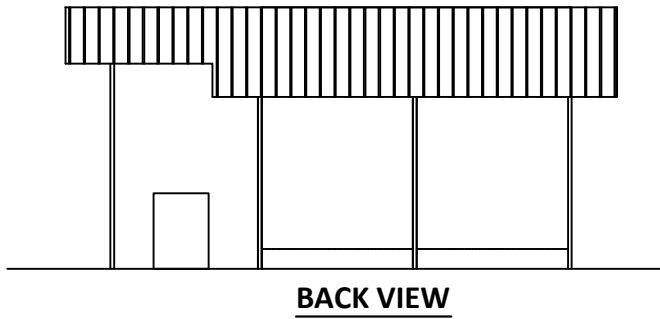
GEN-SET SHED EXTENSION



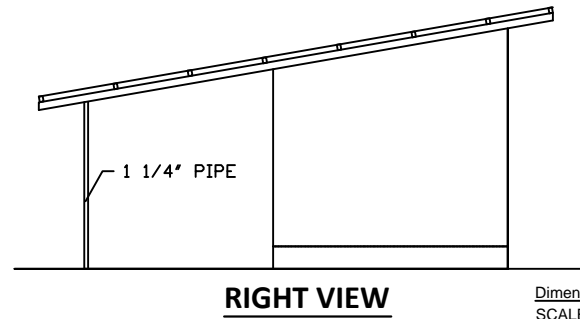
FRONT VIEW



LEFT VIEW



BACK VIEW



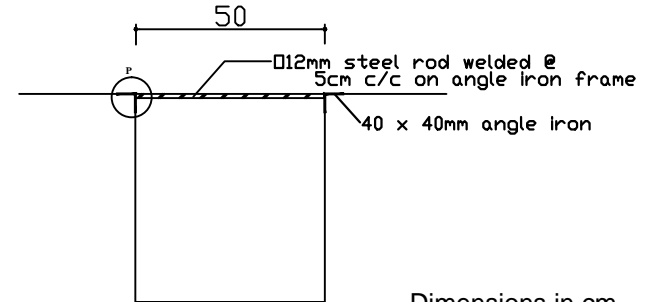
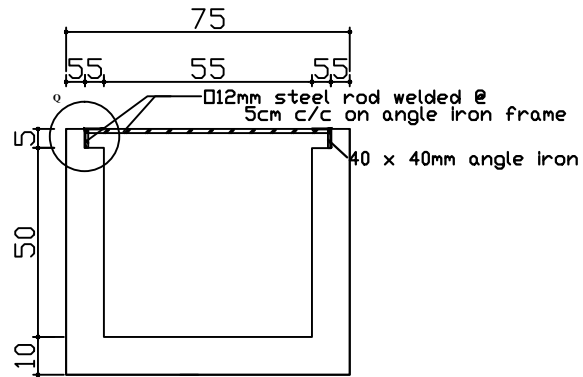
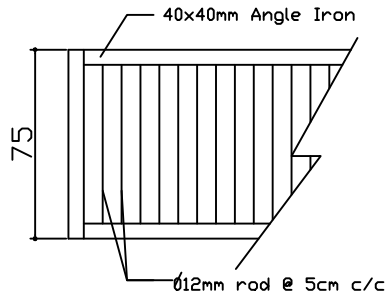
RIGHT VIEW

Dimensions in cm
SCALE 1:100

EXISTING DRAIN AROUND PACKING HOUSE

DRAIN COVER

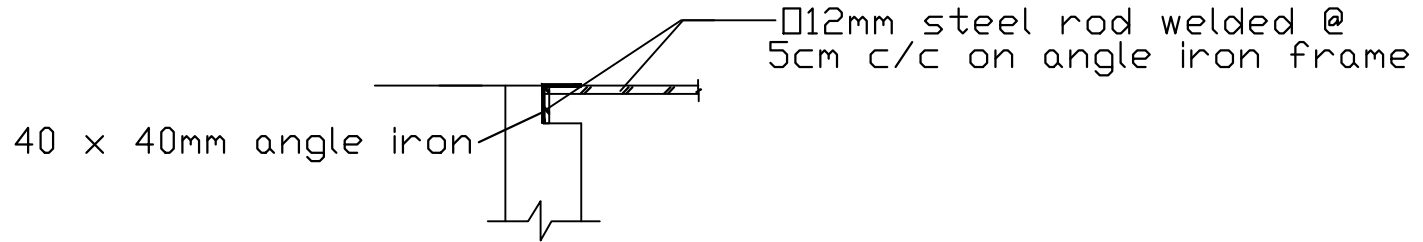
- A). 10m long and 0.75m width
- B). 28m long and 0.50m width



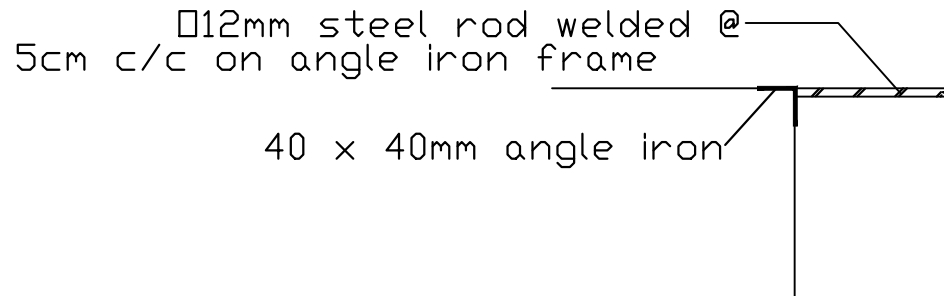
Dimensions in cm

SCALE 1:20

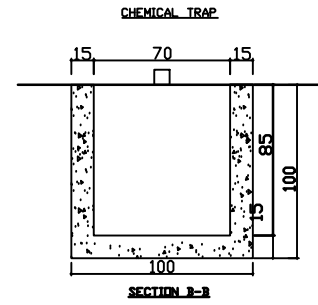
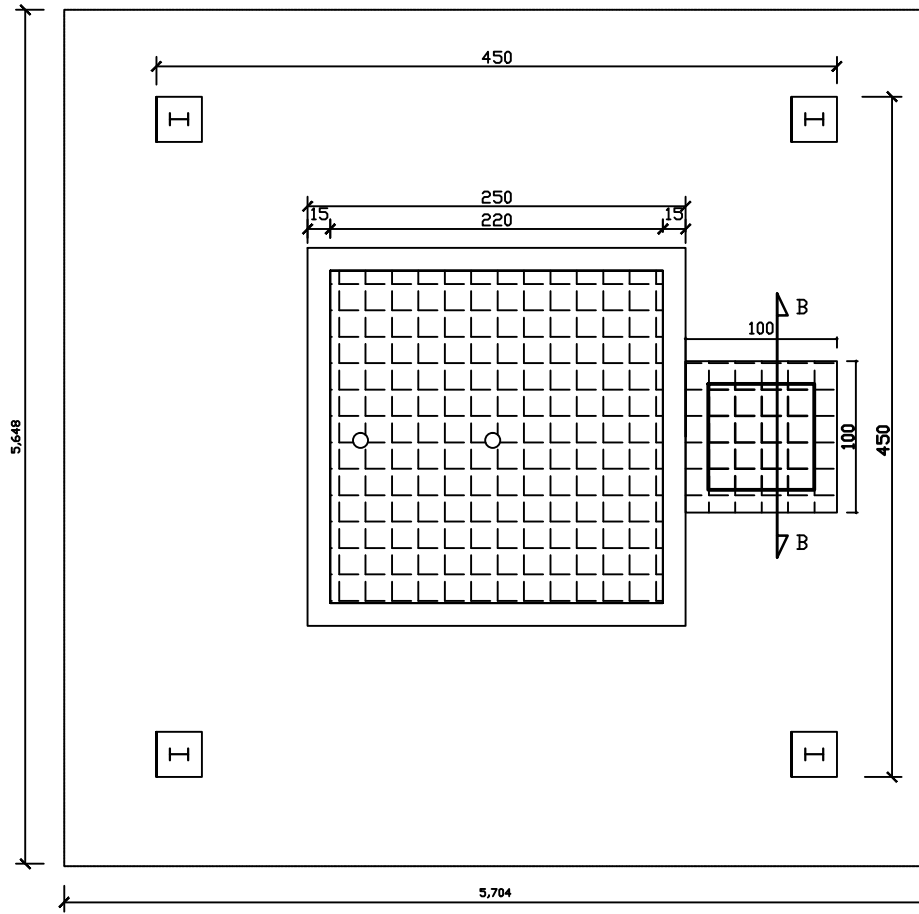
Details at Q



Details at P



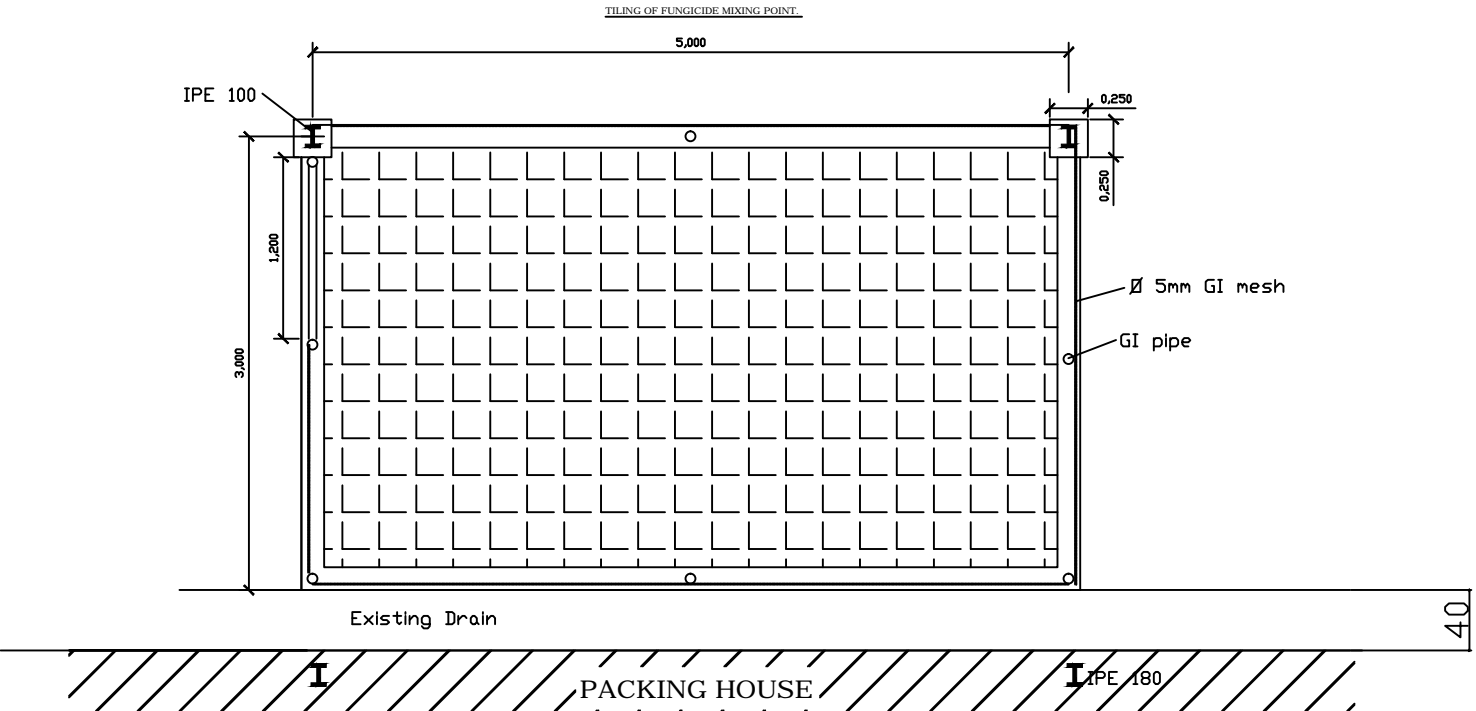
TILING OF HERBICIDE MIXING POINT.



PLAN

Dimensions in cm
SCALE 1:25

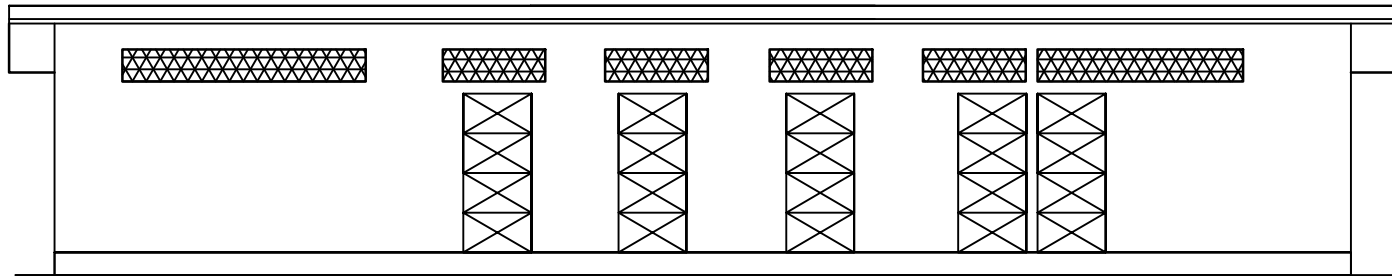
up



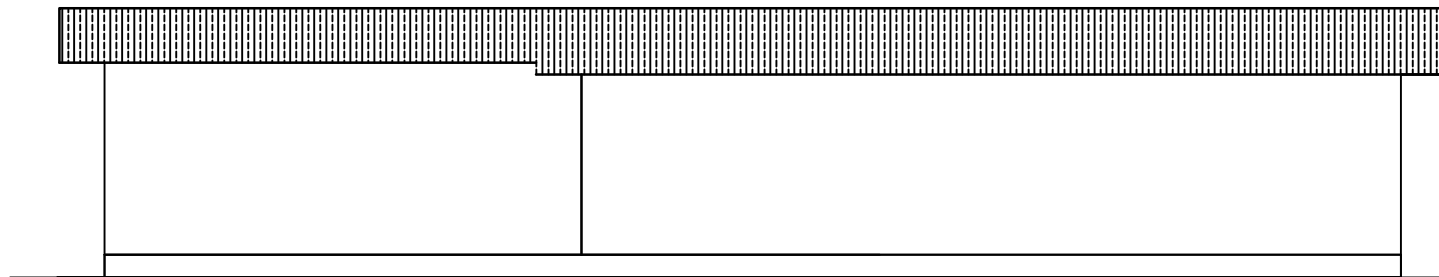
PLAN

Dimensions in cm
SCALE 1:25

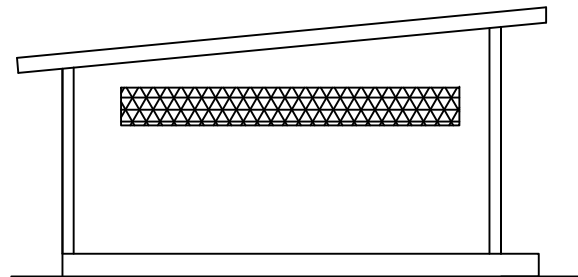
DRESSING ROOM FOR CHEMICAL WEEDERS



FRONT VIEW



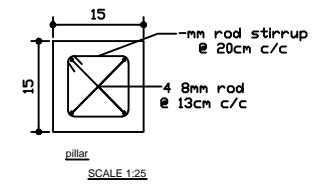
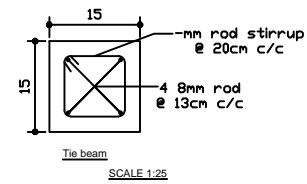
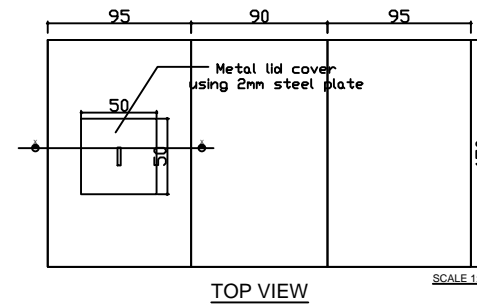
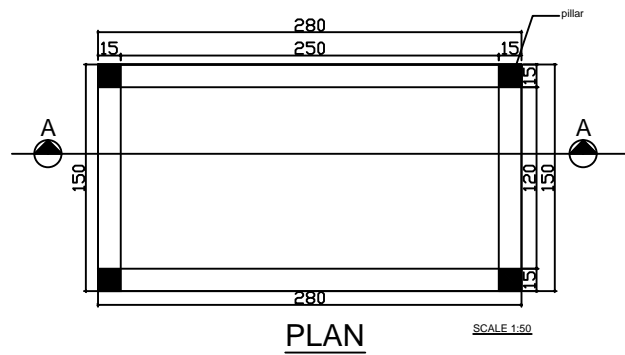
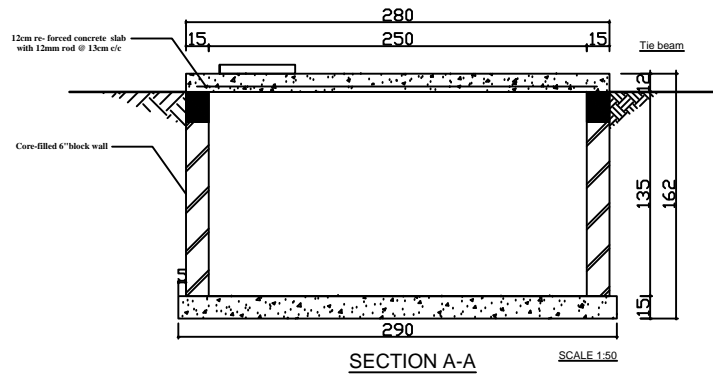
FRONT VIEW



LEFT VIEW

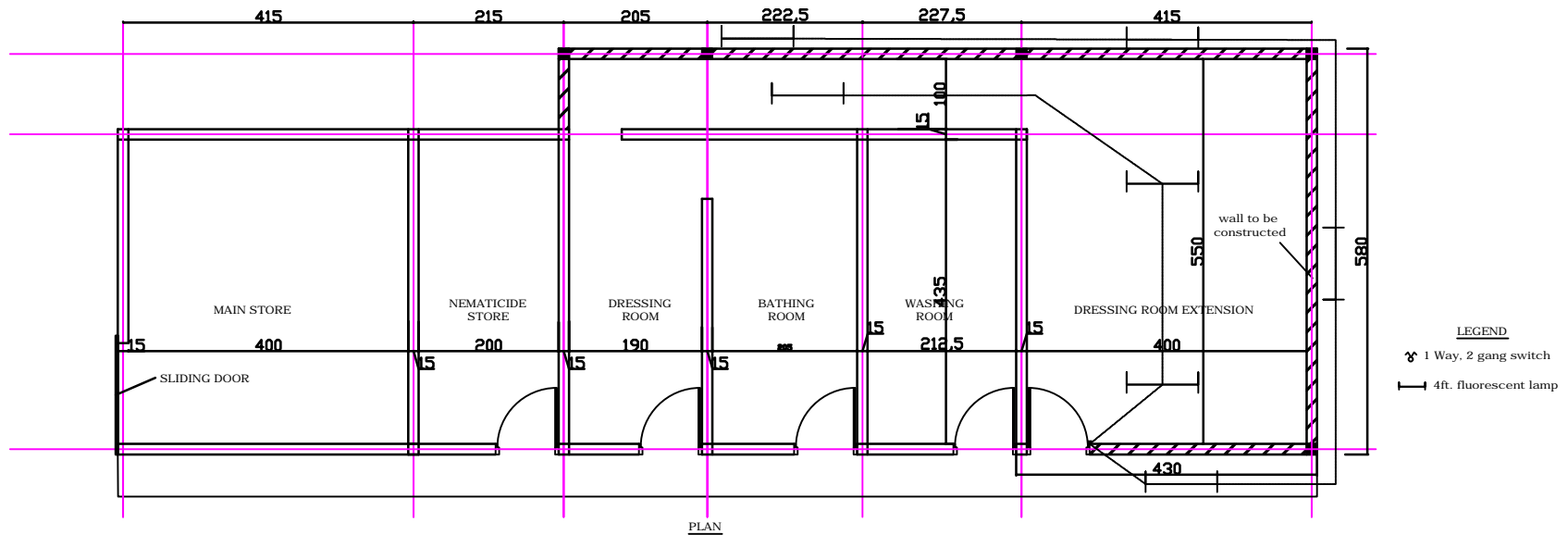
Dimensions in cm
SCALE 1:100

TANK FOR CHEMICAL WASTE



Dimensions in cm

DRESSING ROOM FOR CHEMICAL WEEDERS

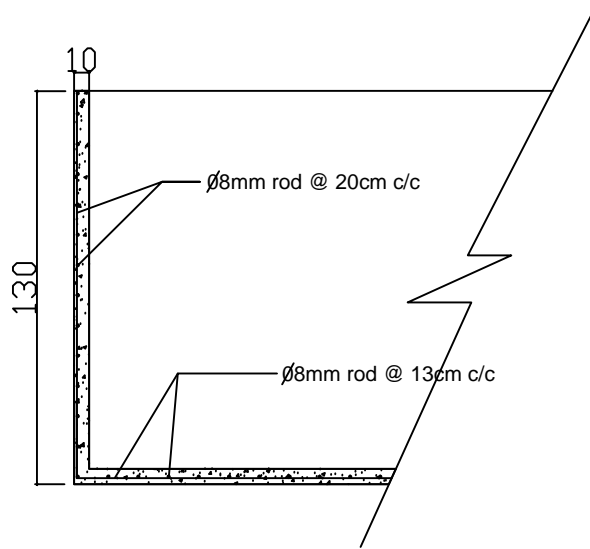


Electrical plan

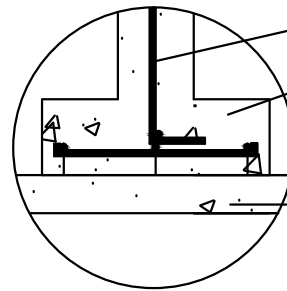
LEGEND

- ⌘ 1 Way, 2 gang switch
- |— 4ft. fluorescent lamp

REJECT TANK



SECTION Q-Q



DETAIL AT 'I'

- Ø8mm steel bar at 20cm c/c
- 10cm concrete footing
- Ø8mm steel bar at 13cm c/c
- 5cm lean concrete

Dimensions in cm
SCALE 1: 50