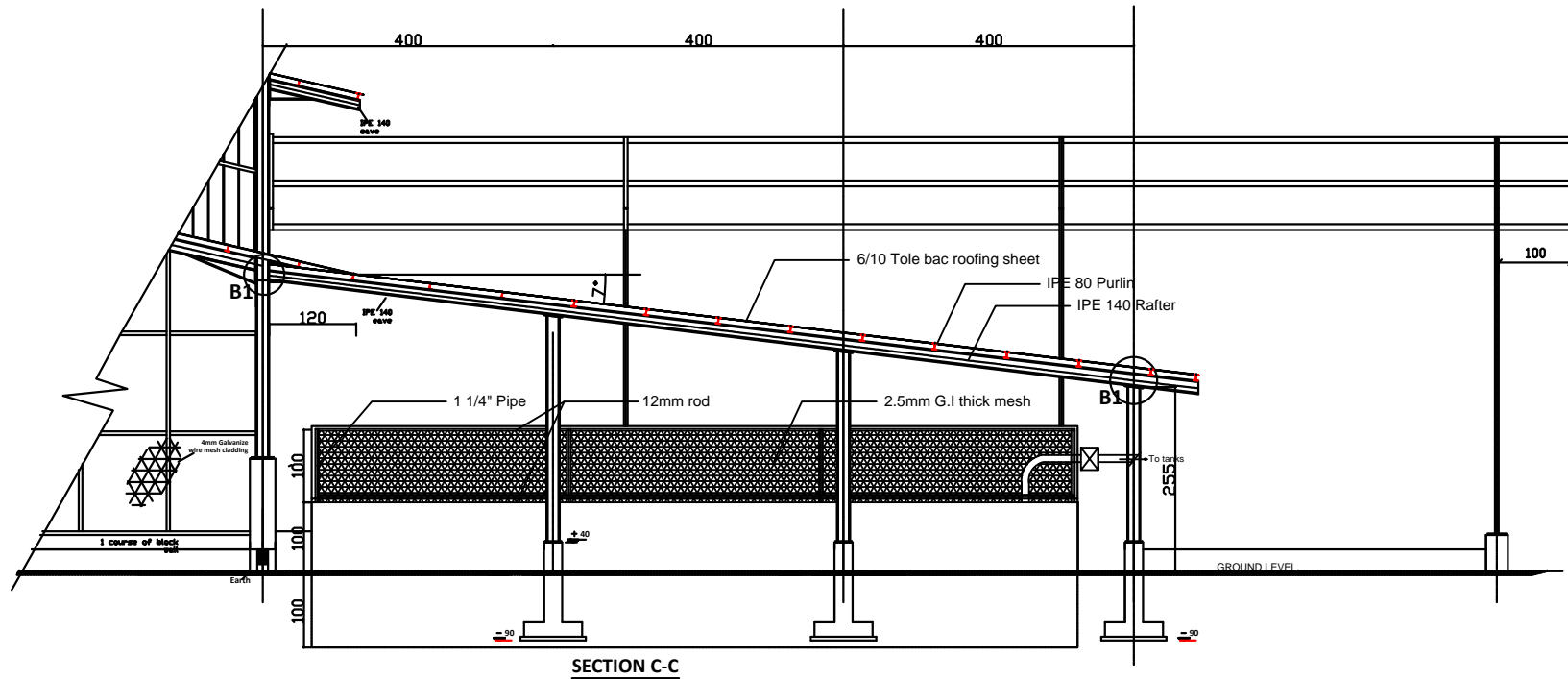
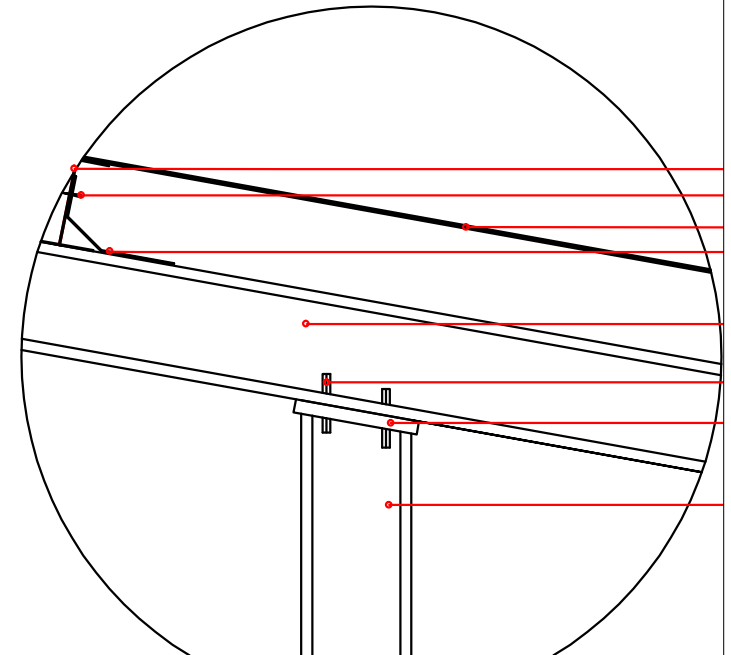
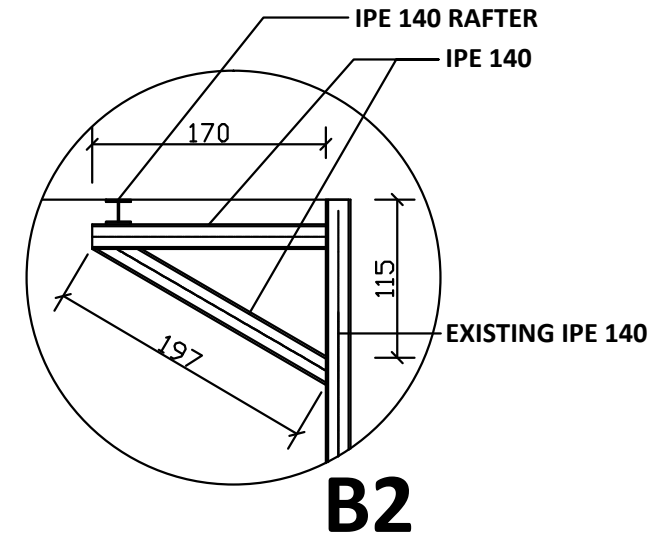
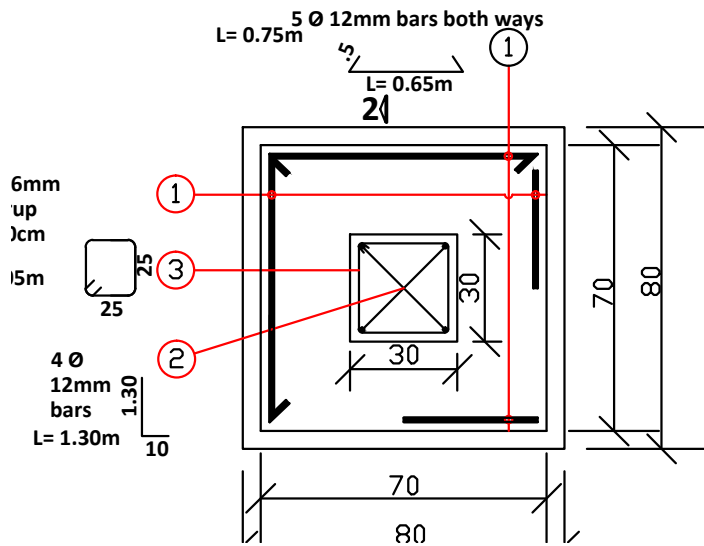
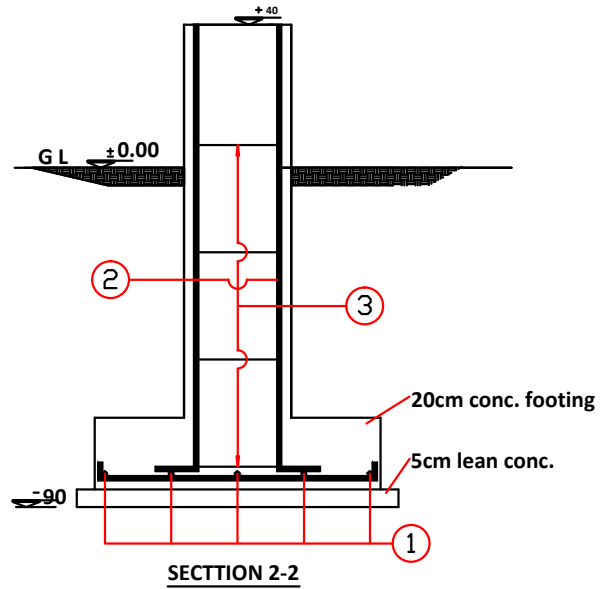


F L O O R P L A N

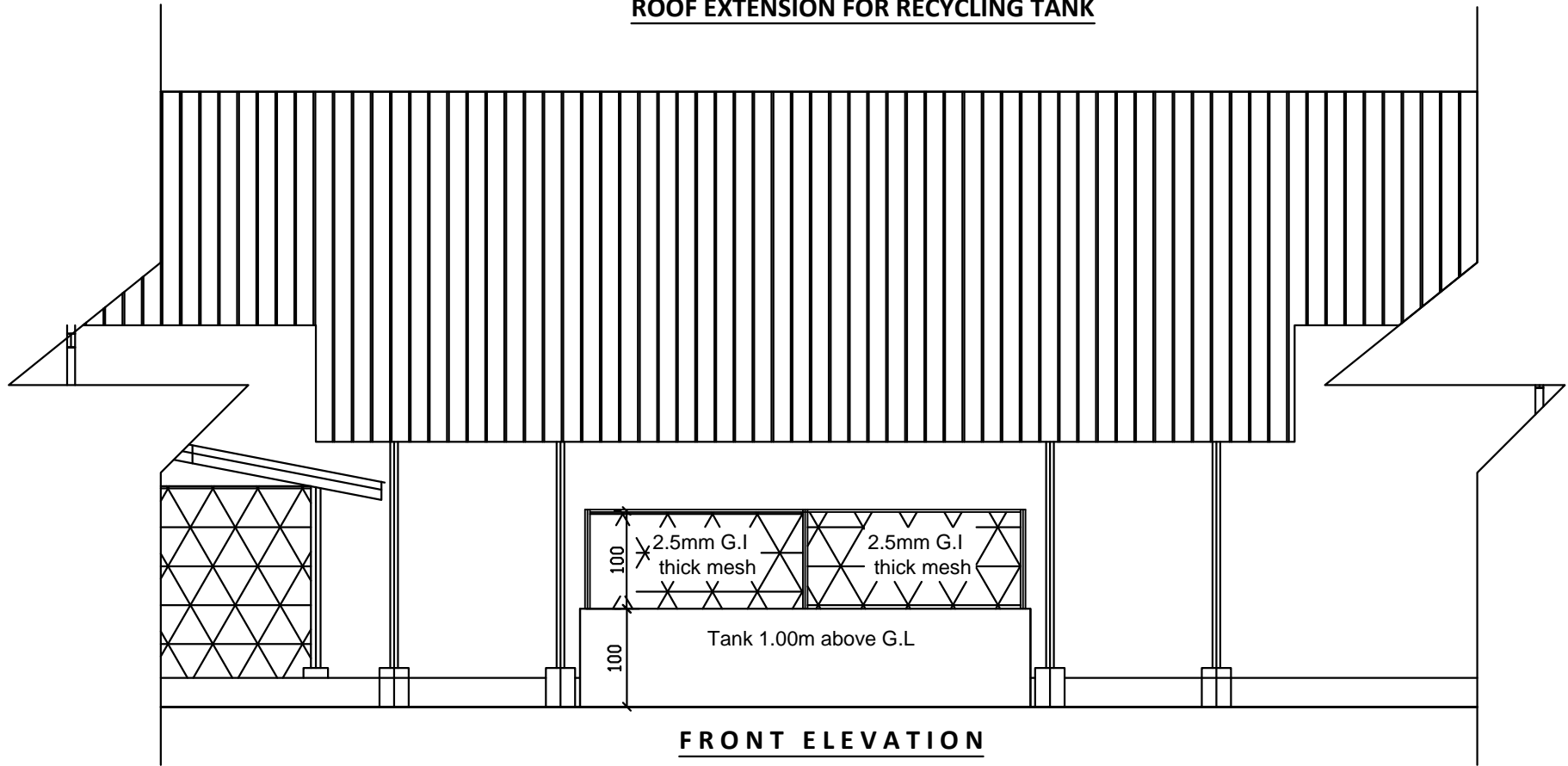
**ROOF EXTENSION FOR RECYCLING TANK**



## DETAILS FOOTING AND ROOFING



**ROOF EXTENSION FOR RECYCLING TANK**



**FRONT ELEVATION**