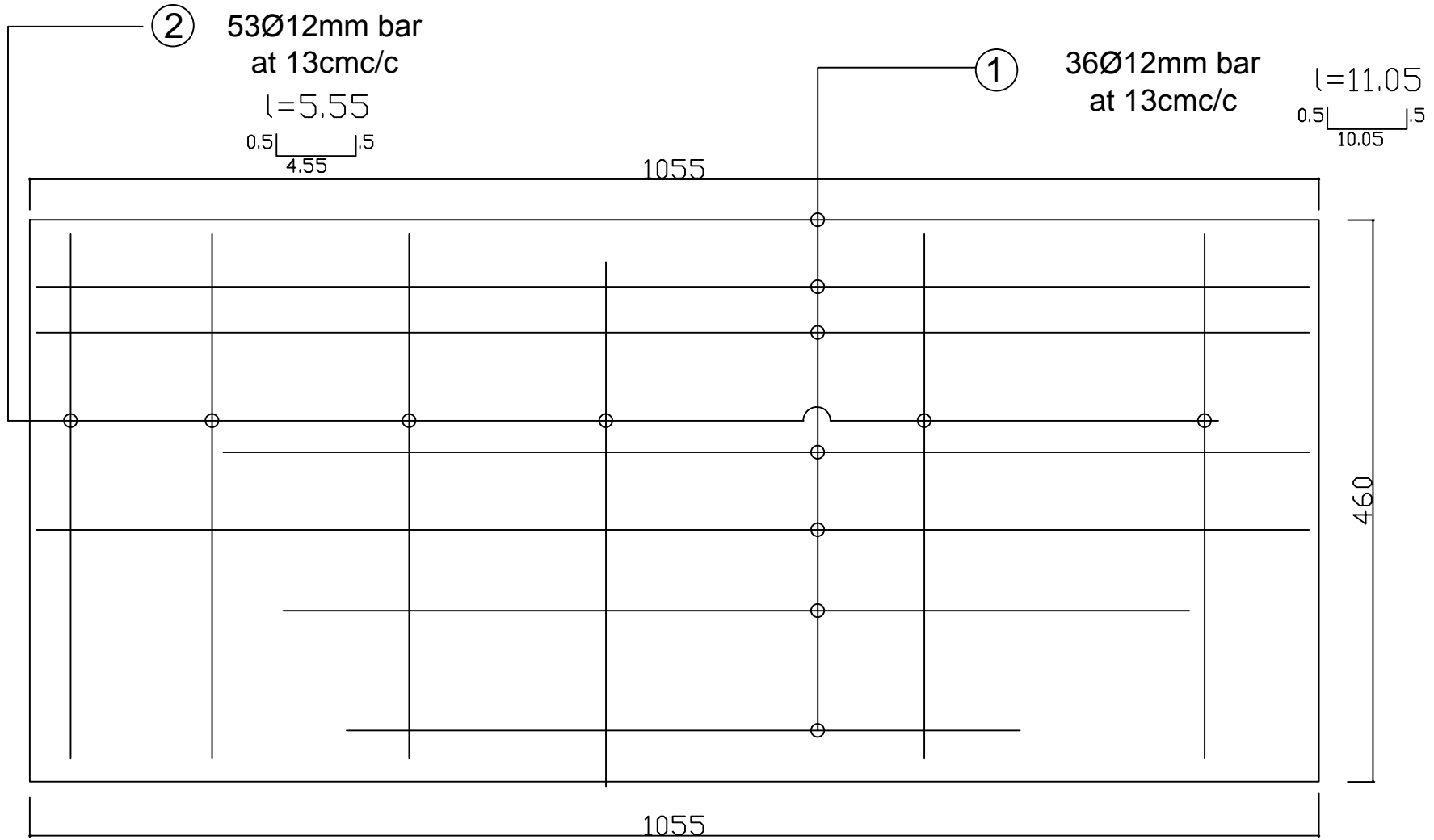


RE-CYCLING WATER TANK



② 53Ø12mm bar
at 13cmc/c
 $l=5.55$
0.5 | 4.55 | 0.5

① 36Ø12mm bar
at 13cmc/c
 $l=11.05$
0.5 | 10.05 | 0.5

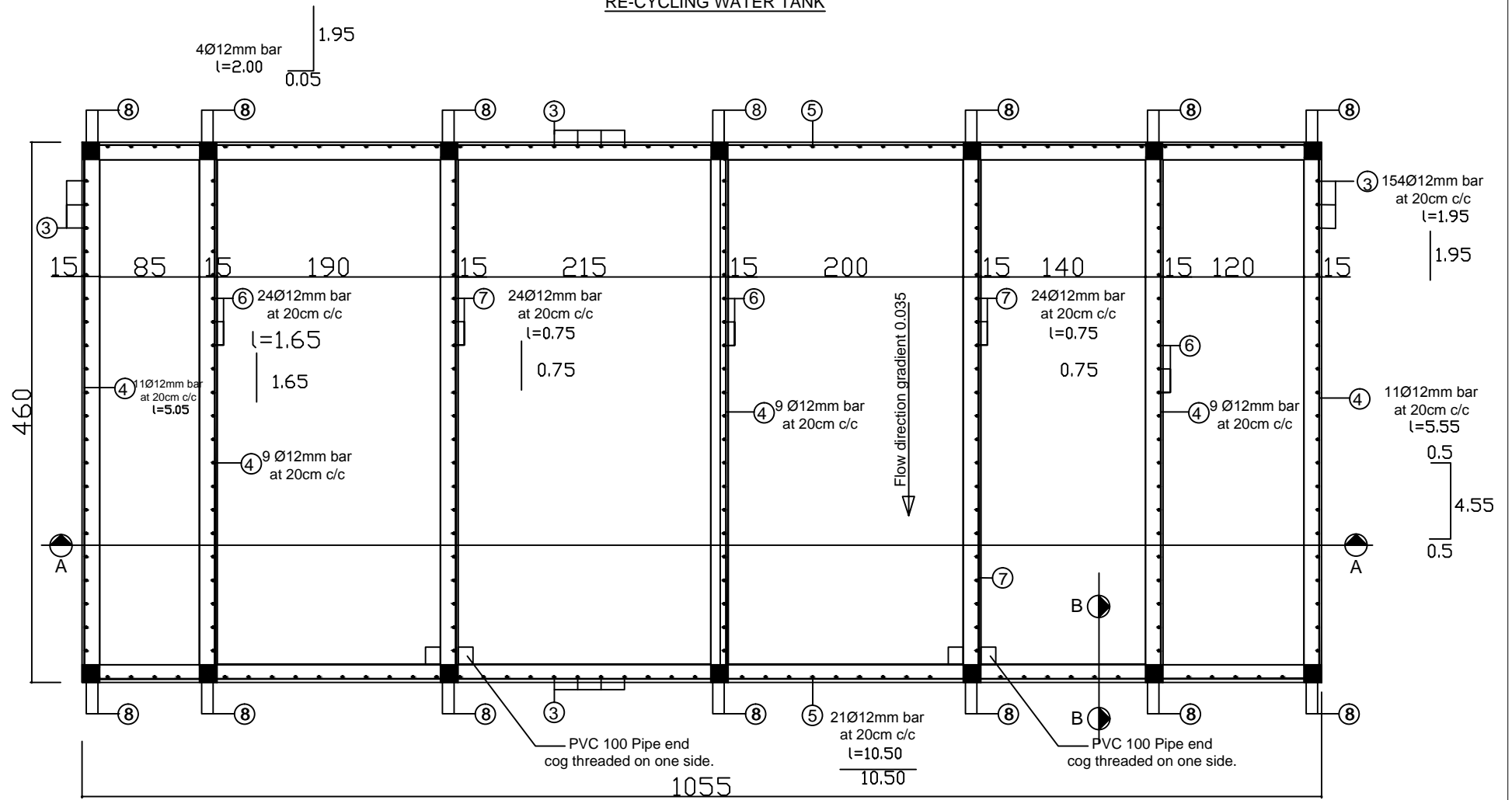
1055

460

1055

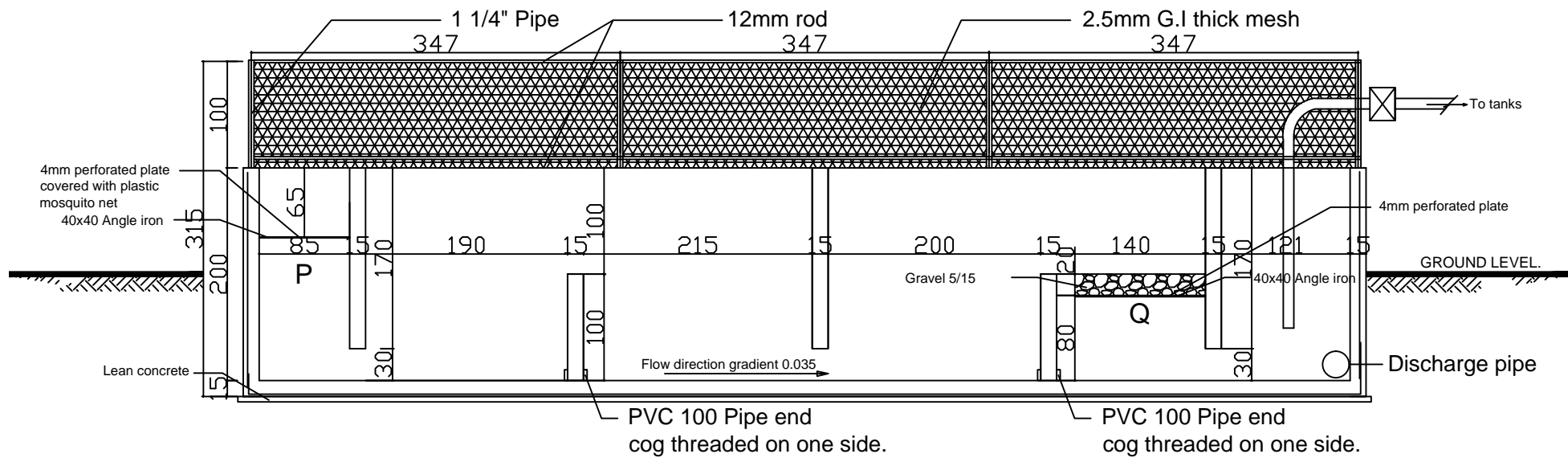
BOTTOM RE-INFORCEMENT

RE-CYCLING WATER TANK

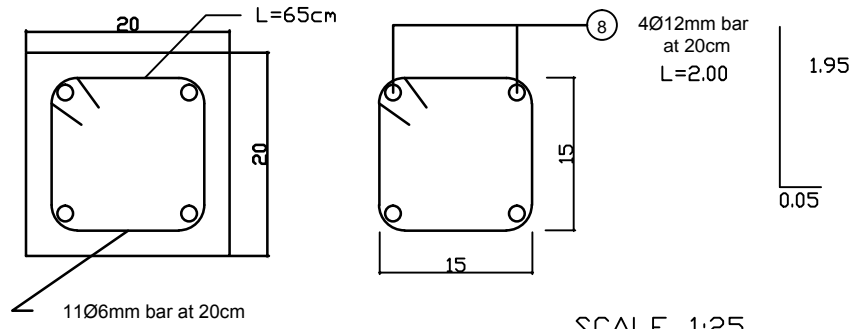


PLAN

RE-CYCLING WATER TANK

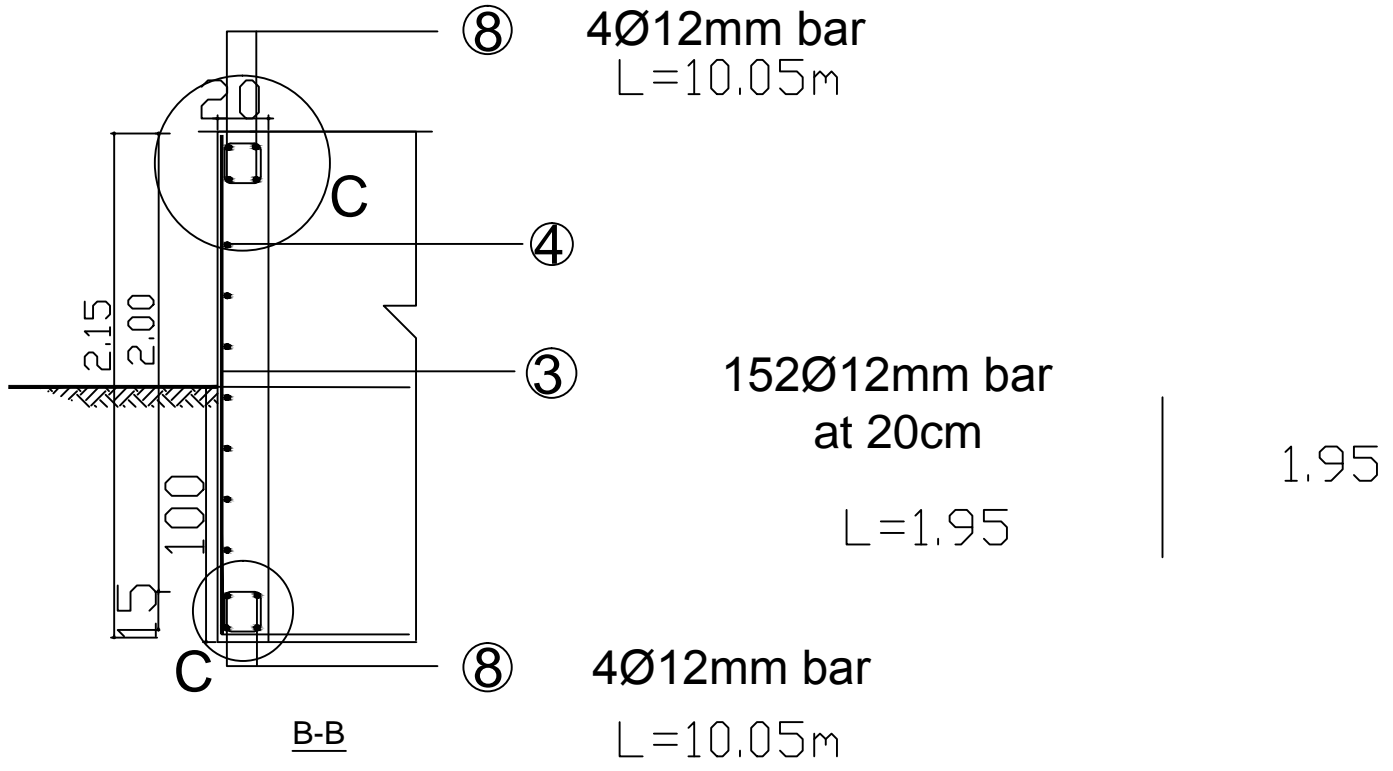


SECTION A-A



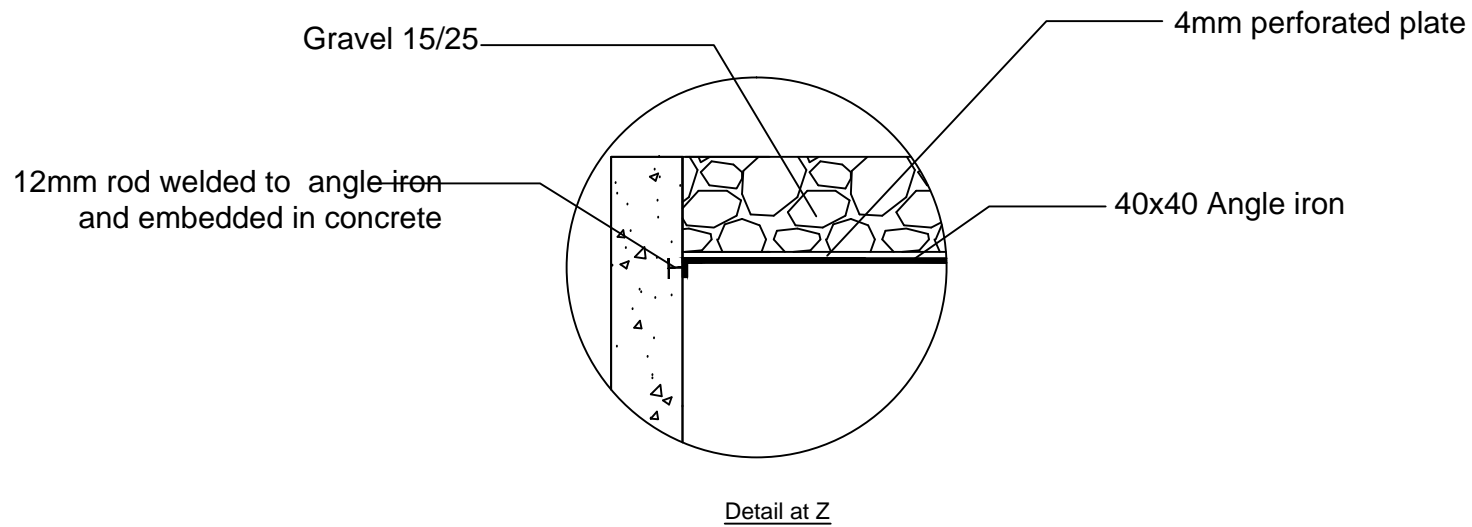
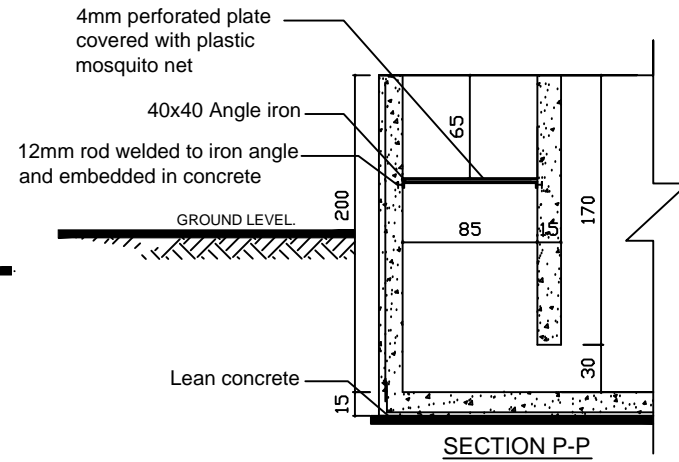
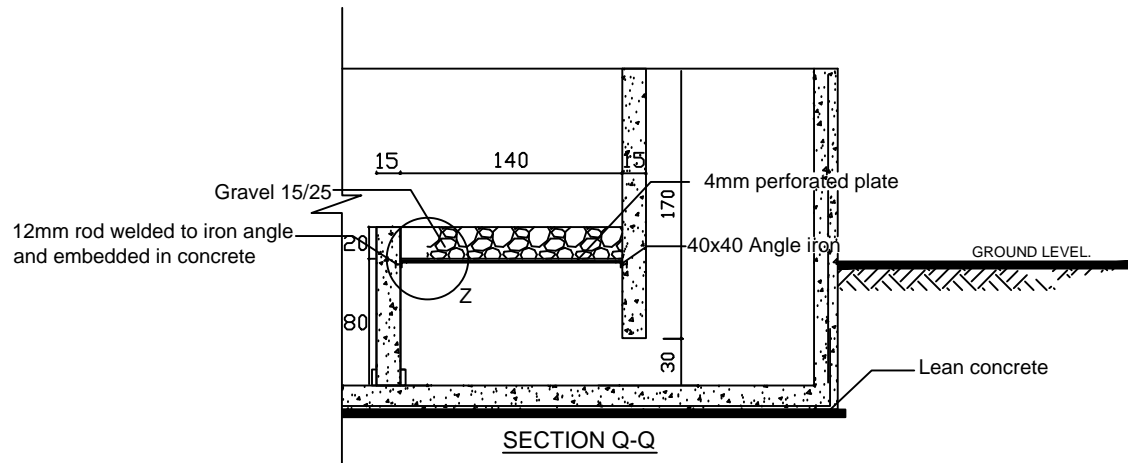
DETAIL AT C

SCALE 1:25

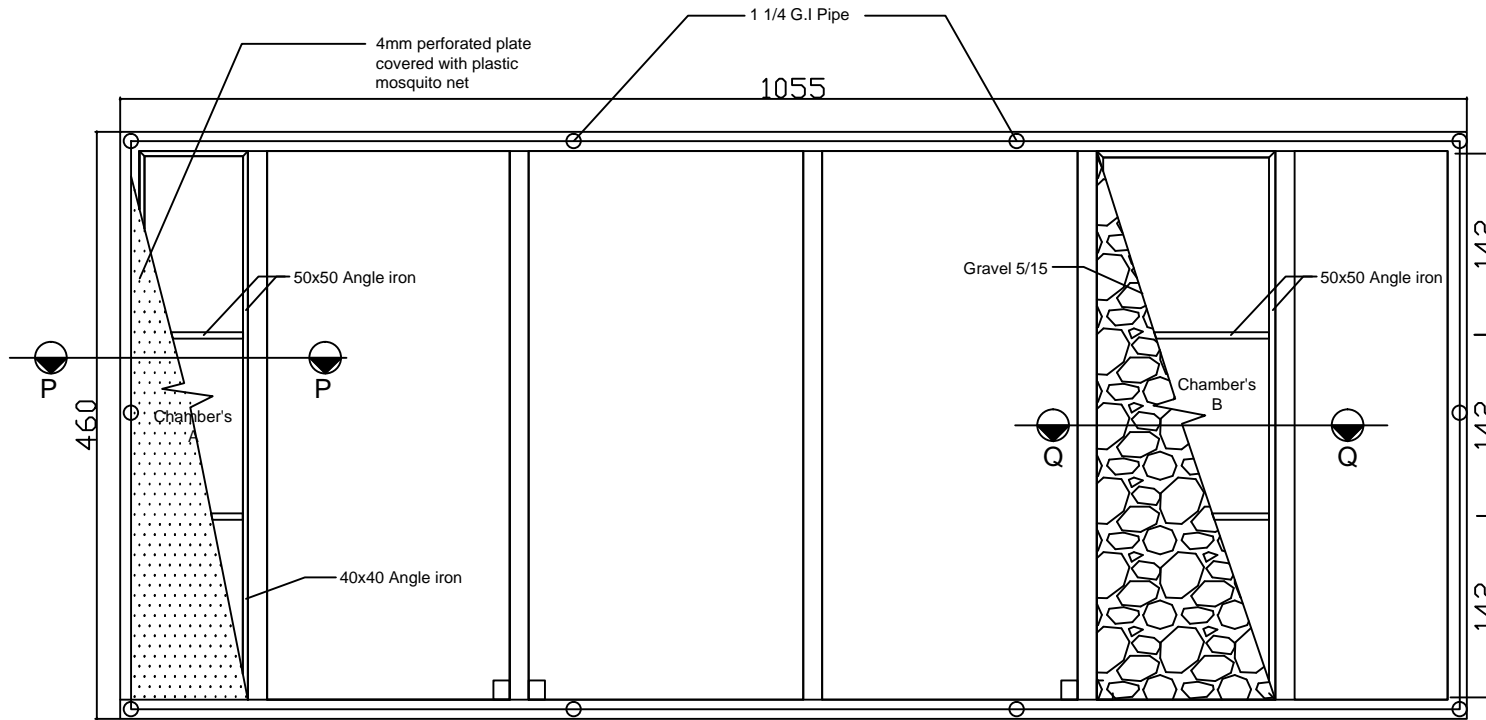


SCALE:1/50

RE-CYCLING WATER TANK



RE-CYCLING WATER TANK



TOP VIEW

RE-CYCLING WATER TANK

4Ø12mm bar | 1.95